

Victory Over Violence Exhibit (Six Panels)

This exhibit consists of one 6-panel, self-standing unit and is shipped in one container.

Layout:

The exhibit footprint is 10 feet by 4 feet. The exhibit is designed to be flexible in its configuration. If space is limited, it can be displayed as a one-sided unit with fewer graphics.

Assembly:

The exhibit requires no special tools for assembly. The steel frame snaps together and the fabric graphics are attached to the frames with wings nuts, included with the exhibit, as shown in the attached drawings. The exhibit is 7 feet tall and may require a ladder for assembly. It will take two people approximately one hour to completely assemble the exhibit.

Suggested assembly order:

1. Assemble **Vertical Joints** with male connectors on the ground
2. Assemble **Vertical End Pieces**
3. Lay two assembled **Vertical Joints** on the ground and connect with two **Horizontals**.
4. Attach four (4) **Horizontals** to frame
5. Attach the **End Piece** to the **Horizontals**
6. Carefully tilt the frame to an upright position
7. Attach the remaining (2) **Horizontals** followed by their **End Pieces**
8. Attach **Graphics**

Packing and shipping:

Each exhibit part is packed in a canvas bag, this helps protect the surface of the steel from being scratched and dented. The exhibit is shipped in one plastic container (17" X 19" X 53" weighting approximately 100 pounds each). Please use *tie wraps* to secure the two locks on the container when packing for return shipping. FedEx labels are included and should be wrapped around the handle of the container. Labels on the side of the container tend to fall off and containers could be lost during shipping. Each container should be insured (Declared Value) for \$1,300.00.

One Section (6 sided frame with 50 inch center)

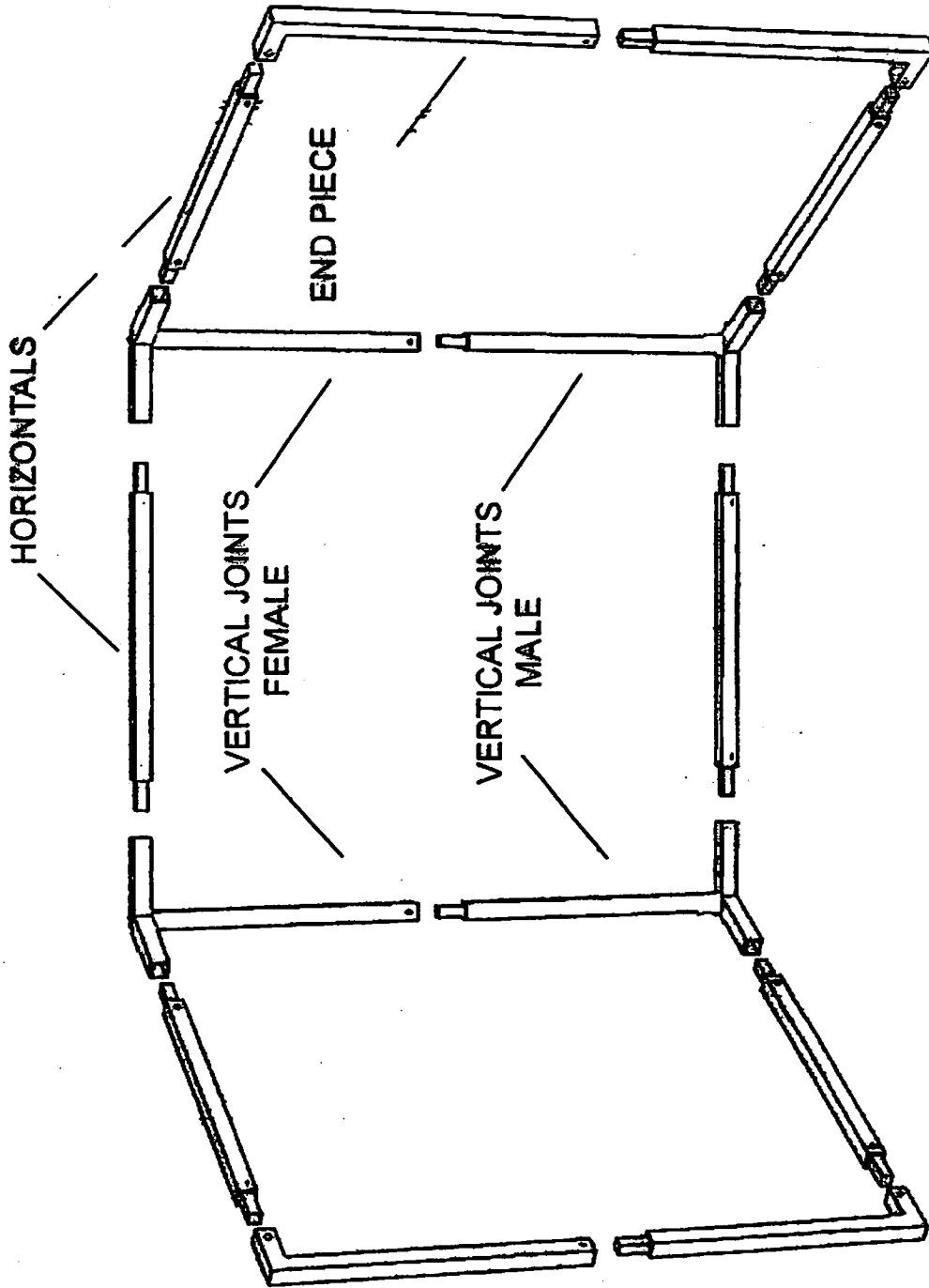
2 each	Vertical Joints M&F (4 pieces) (1 shipping bag)
6 each	50 inch Horizontals (10 pieces) (2 shipping bags)
2 each	End Pieces M&F (8 pieces) (2 shipping bags)
6 each	Graphic panels

Hardware:

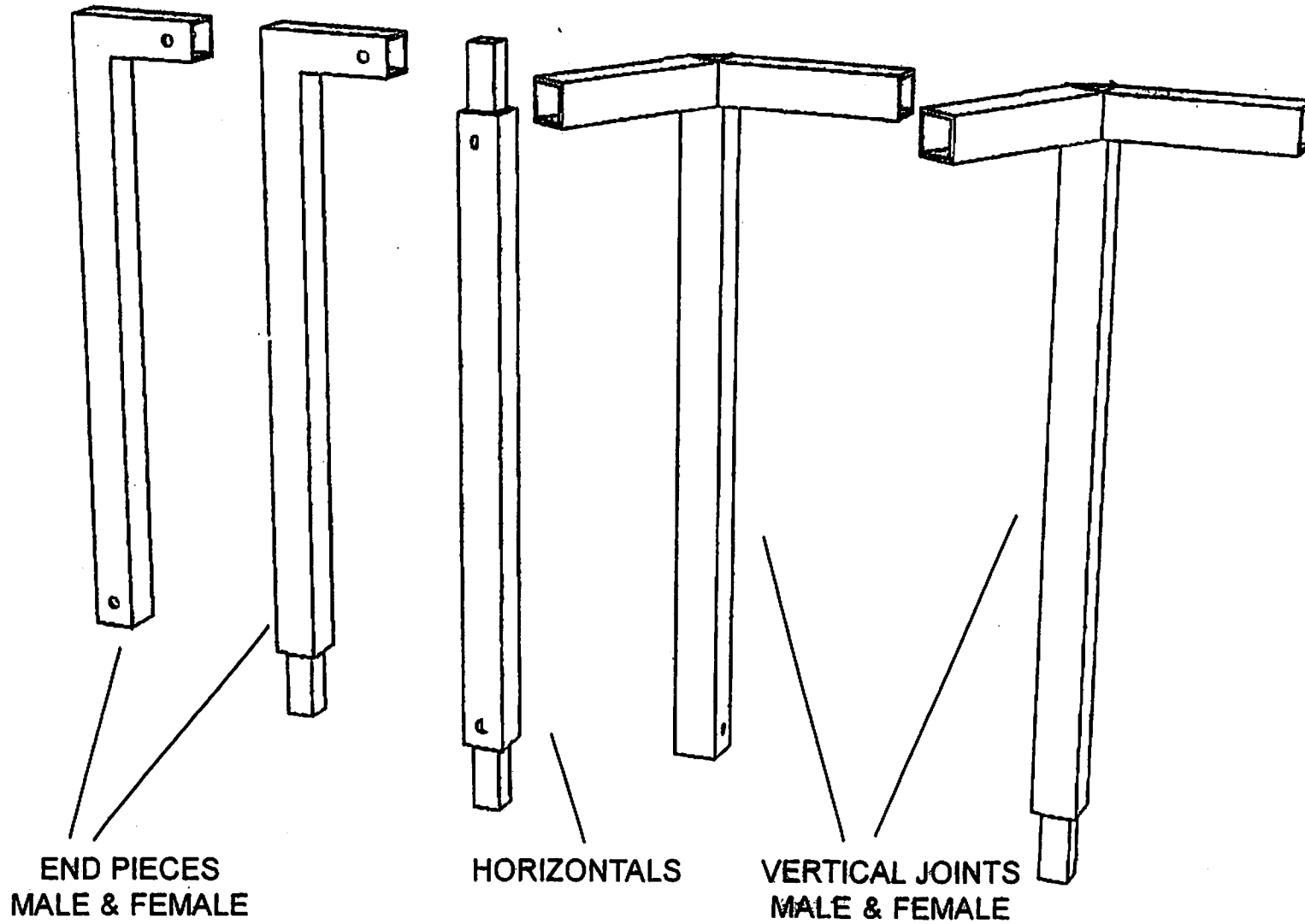
Twenty-Five (25) 24 x 2 Phillips head screws

Fifty (50) #10 (3/16th) washers

Twenty-Five (25) 10-24 wing nuts



EXPLODED VIEW
OF FRAME #1



All pieces are made of 3/4" square tubing. Pins are 1/2" square tubing.



