

Building a Culture of Peace for the Children of the World (30 Panels)

This exhibit consists of three 10-panel, self-standing units and is shipped in three containers.

Layout:

The complete exhibit needs approximately 1,000 square feet of floor space. It does not require electric service since it is illuminated by the general room lighting. The exhibit is designed to be flexible in its configuration. If space is limited, it can be displayed as a one-sided unit with fewer graphics. Please refer to the attached layout for placement of the graphics on the panels.

Assembly:

The exhibit requires no special tools for assembly. The steel frame snaps together and the fabric graphics are attached to the frames with wings nuts, included with the exhibit, as shown in the attached drawings. The exhibit is 7 feet tall and may require a ladder for assembly. It will take four people approximately one hour to completely assemble the full exhibit.

Suggested assembly order:

1. Assemble **Vertical Joints** with male connectors on the ground
2. Assemble **Vertical End Pieces**
3. Lay two assembled **Vertical Joints** on the ground and connect with two **Horizontals**. Note that the title panel is a double-wide panel and has two custom-sized horizontals, which together make up the 8-foot center horizontal. They are labeled and packed separately.
4. Attach four (4) **Horizontals** to frame
5. Attach the **End Piece** to the **Horizontals**
6. Carefully tilt the frame to an upright position
7. Attach the remaining four (4) **Horizontals** followed by their **End Pieces**
8. Attach **Graphics**

Packing and shipping:

Each exhibit part is packed in a canvas bag, this helps protect the surface of the steel from being scratched and dented. The exhibit is shipped in three plastic containers (17" X 19" X 53" weighting approximately 125 pounds each). Please use *tie wraps* to secure the two locks on the container when packing for return shipping. FedEx labels are included and should be wrapped around the handle of the container. Labels on the side of the container tend to fall off and containers could be lost during shipping. Each container should be insured (Declared Value) for \$1,300.00 for a total of \$4,000.00 for the entire shipment.

Inventory:

Graphics

30 graphic panels (3 alternative panels are included)

Frames

Three (3) self-standing steel frame units (10 graphics can be attached to each unit. Note that the title unit has two 8-foot graphics. All other graphics are 50" wide.

Each 10-sided frame consists of:

2 Vertical Joints – Male

2 Vertical Joints – Female

10 Horizontals (Title unit has custom 8-foot horizontals in two pieces)

4 End Pieces – Male

4 End Pieces – Female

Hardware

One-Hundred (100) #10 (3 /16th) Washers

One-Hundred (100) 10-24 Wing Nuts

One-Hundred (100) 24 x2 Phillips Head Screws

Supplies

10 frame pin clips, plastic tie wraps to secure each clasp on shipping cases and FedEx return Shipping Labels.

Section #1 (10 sided frame with 8ft center)

2 each	Vertical Joints M&F (4 pieces) (1 shipping bag)
8 each	50 inch Horizontals (8 pieces) (2 shipping bags)
2 each	8 ft. center Horizontals (4 pieces) (2 Shipping bags)
4 each	End Pieces M&F (8 pieces) (2 Shipping bags)
10 each	Graphics: Building a Culture of Peace- Title, Barriers to Peace, UN Timeline, Pattern of Peace, Global Culture, Nobel Prize, Earth Charter, Manifesto 2000, UN Preamble, Intro Panel, (2 Shipping bags)

Section #2 (10 sided frame with 50 inch center)

2 each	Vertical Joints M&F (4 pieces) (1 shipping bag)
10 each	50 inch Horizontals (10 pieces) (2 shipping bags)
4 each	End Pieces M&F (8 pieces) (2 shipping bags)
10 each	Graphics: UN #1, #2, #3, Power of People #1, #2 , #3, Religions and Peace, Shared Vision, Children are the future, Children's Dreams, (2 shipping bags)

Section #3 (10 sided frame with 50 inch center)

2 each	Vertical Joints M&F (4 pieces) (1 shipping bag)
10 each	50 inch Horizontals (10 pieces) (2 shipping bags)
4 each	End Pieces M&F (8 pieces) (2 shipping bags)
	10 each Graphics: Paths to Peace, Self Mastery, Dialogue, Community, Culture, Nations, Global Awareness, Disarmament, Quotes, Comments (2 shipping bags)

Additional Items

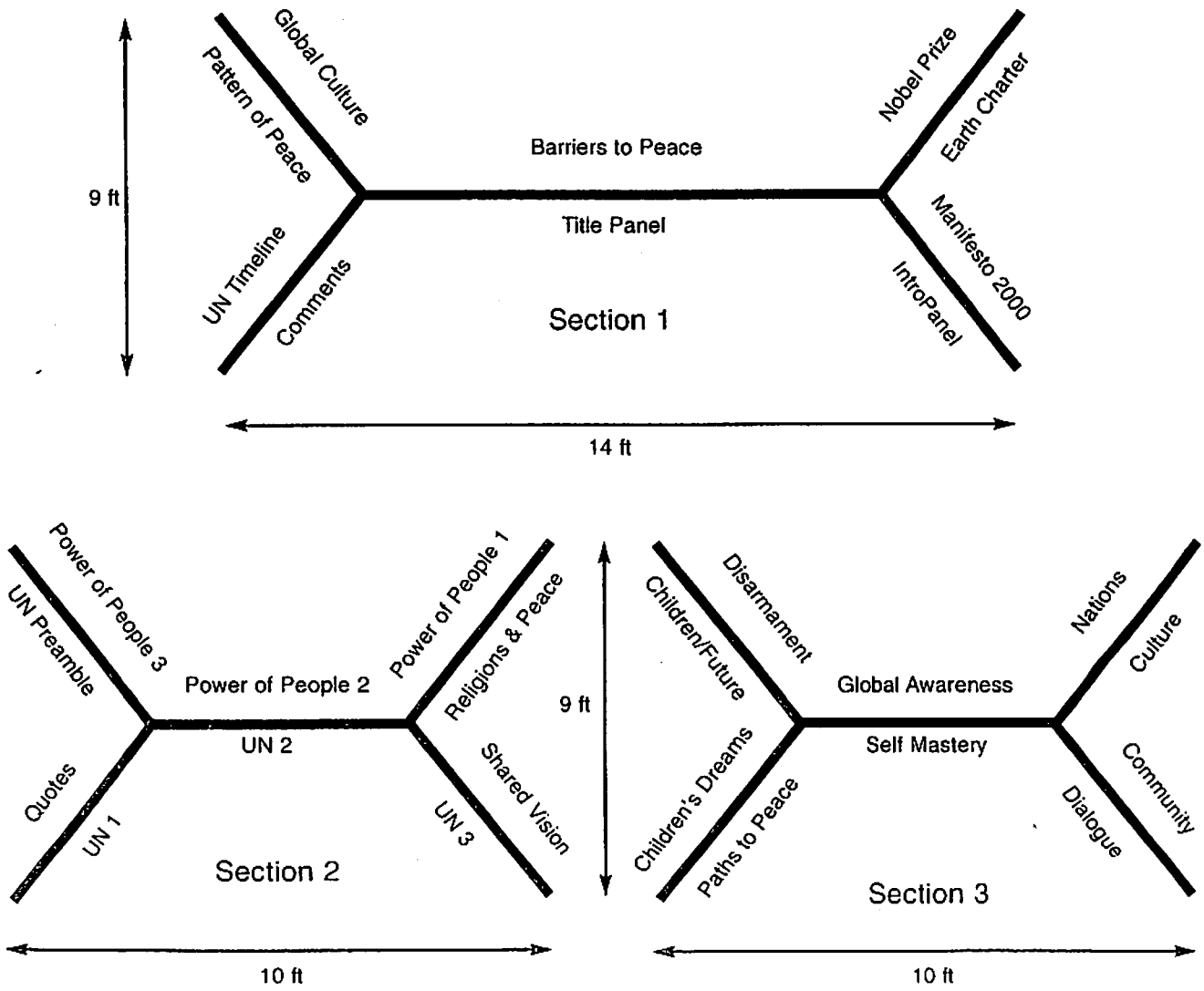
Alternative Panels: Power of the People #4, #5, #6

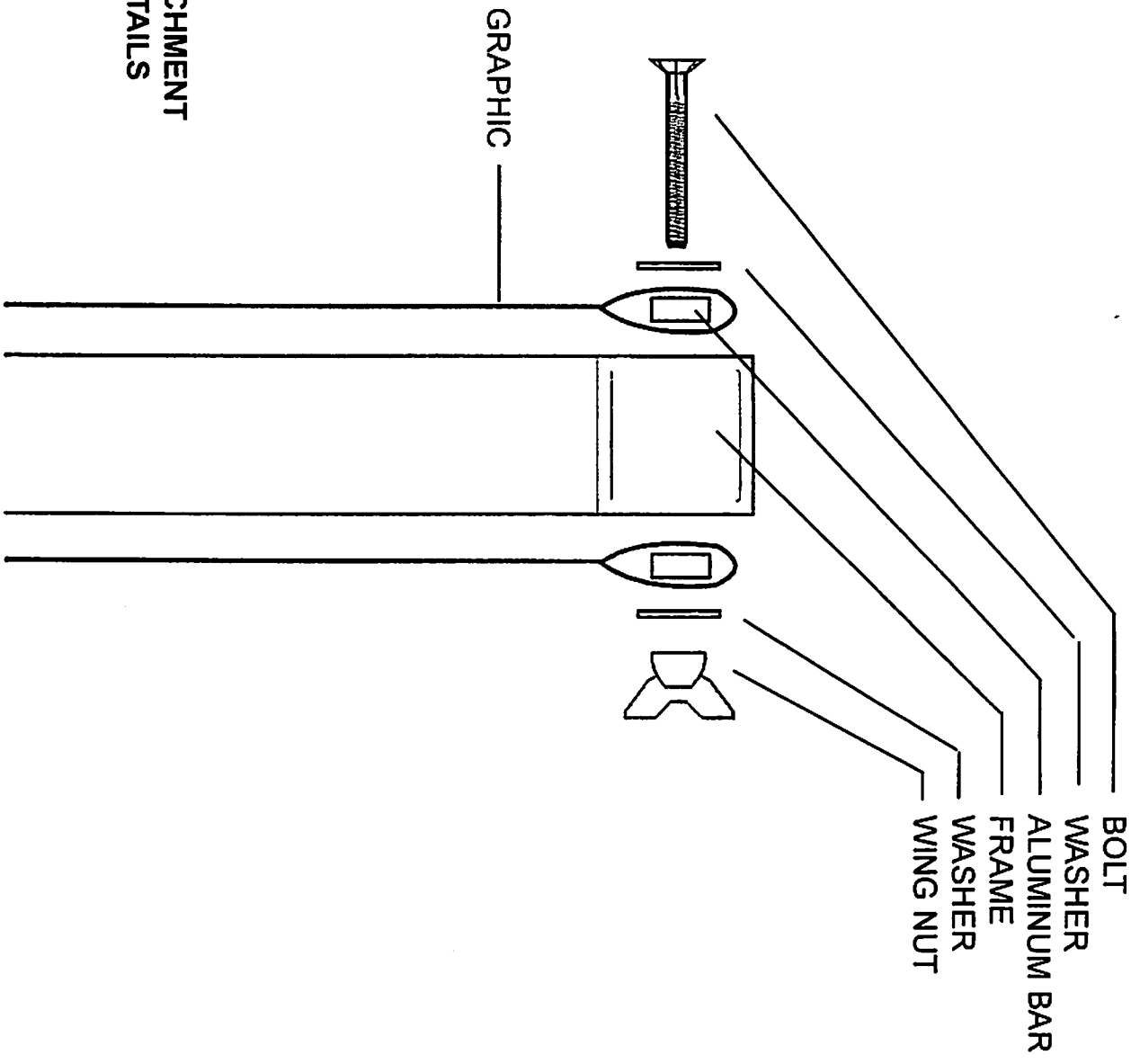
Clips

Shipping labels

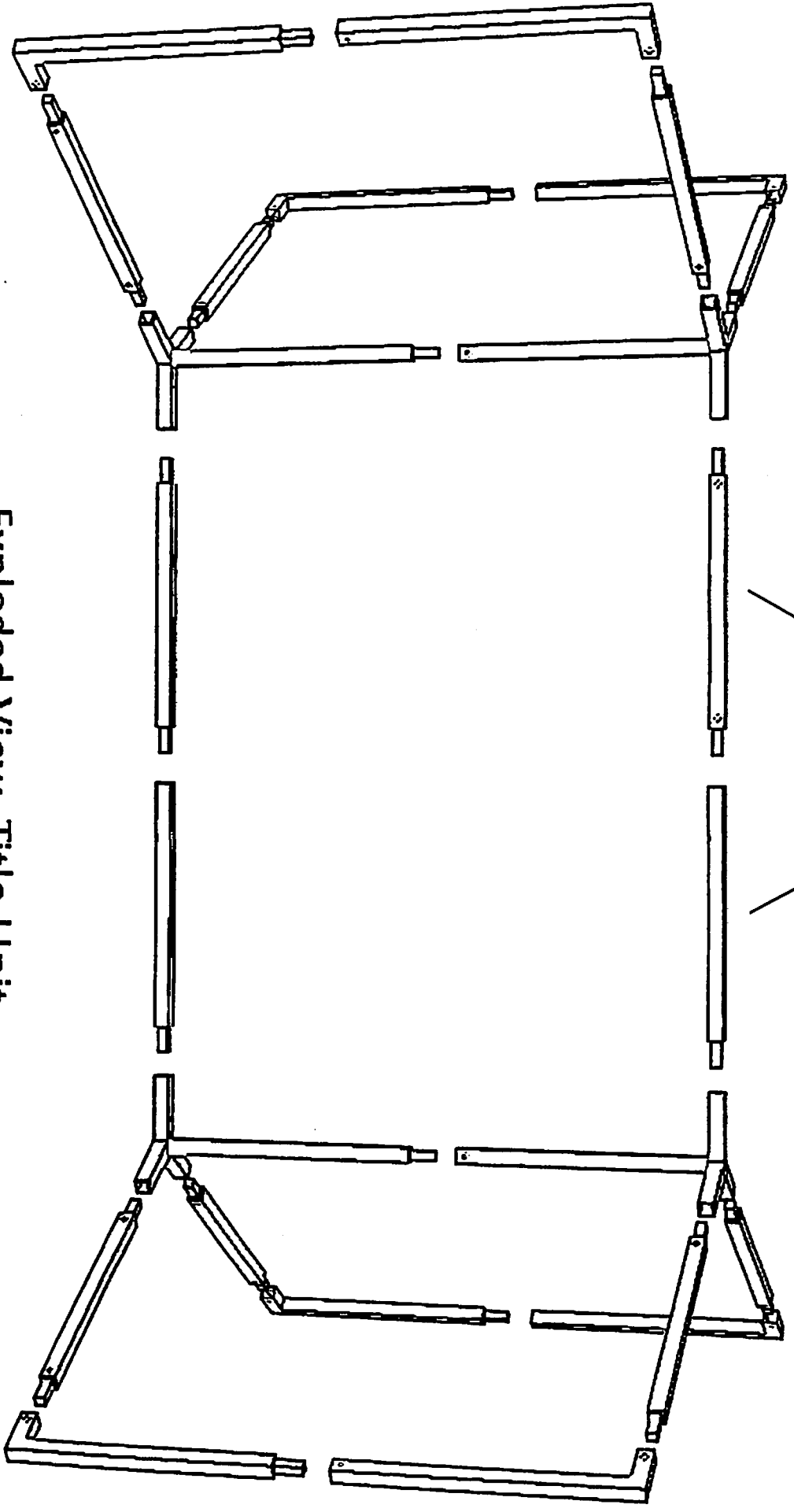
Building a Culture of Peace For the Children of the World Exhibit Layout

The exhibit is comprised of 3 self standing units 7 ft tall
 The exhibit frames are constructed in light weight steel, the graphics are printed on fabric panels.
 Approximately 1000 Sq ft required for complete display
 No tools needed for assembly or additional lighting is required
 The arrangement of exhibit sections is flexible.
 Please note the preferred order of the graphics on the exhibit frames
 Assembly takes app 1 hour with 4 people (2 people minimum)



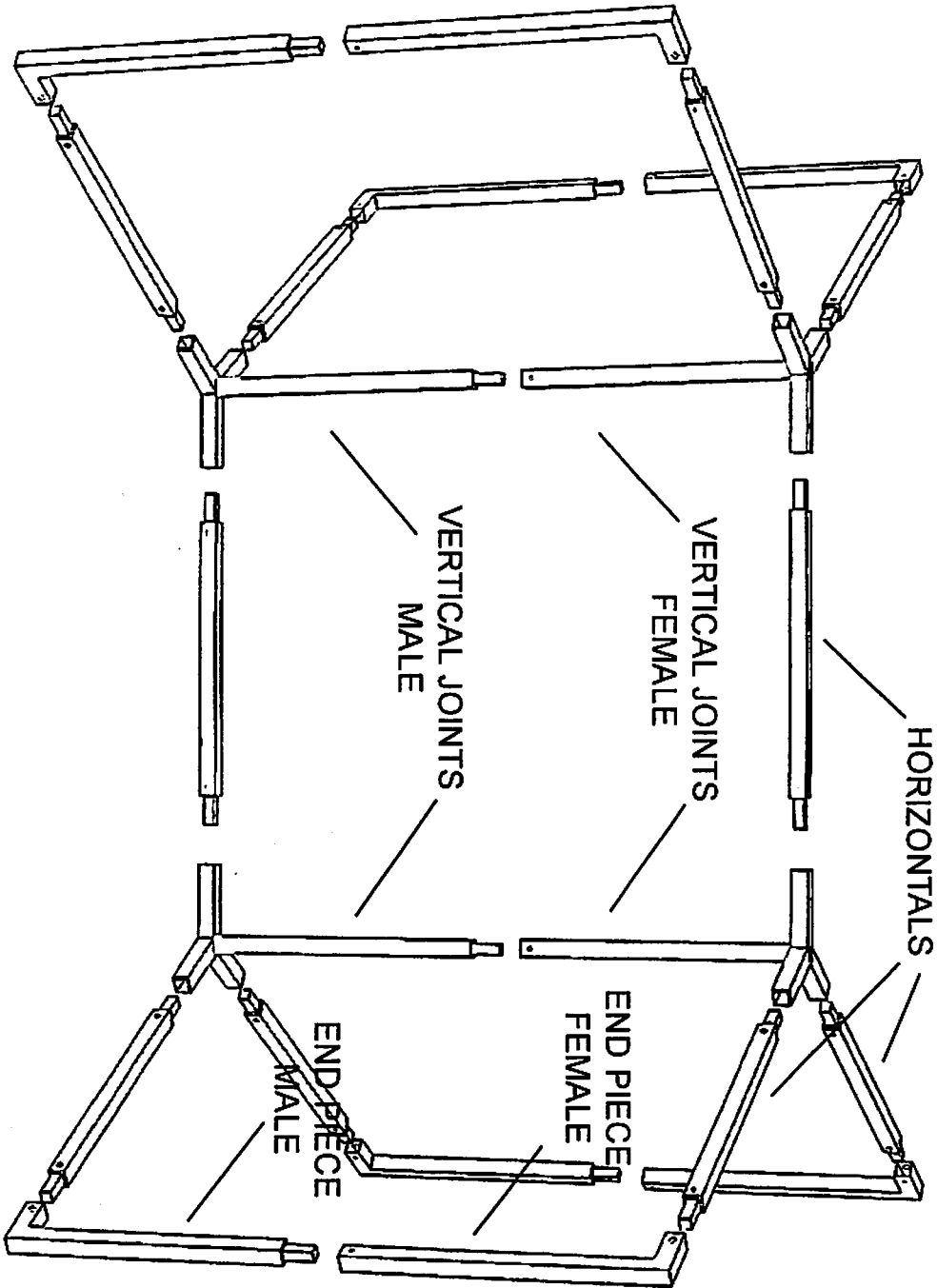


**ATTACHMENT
DETAILS**

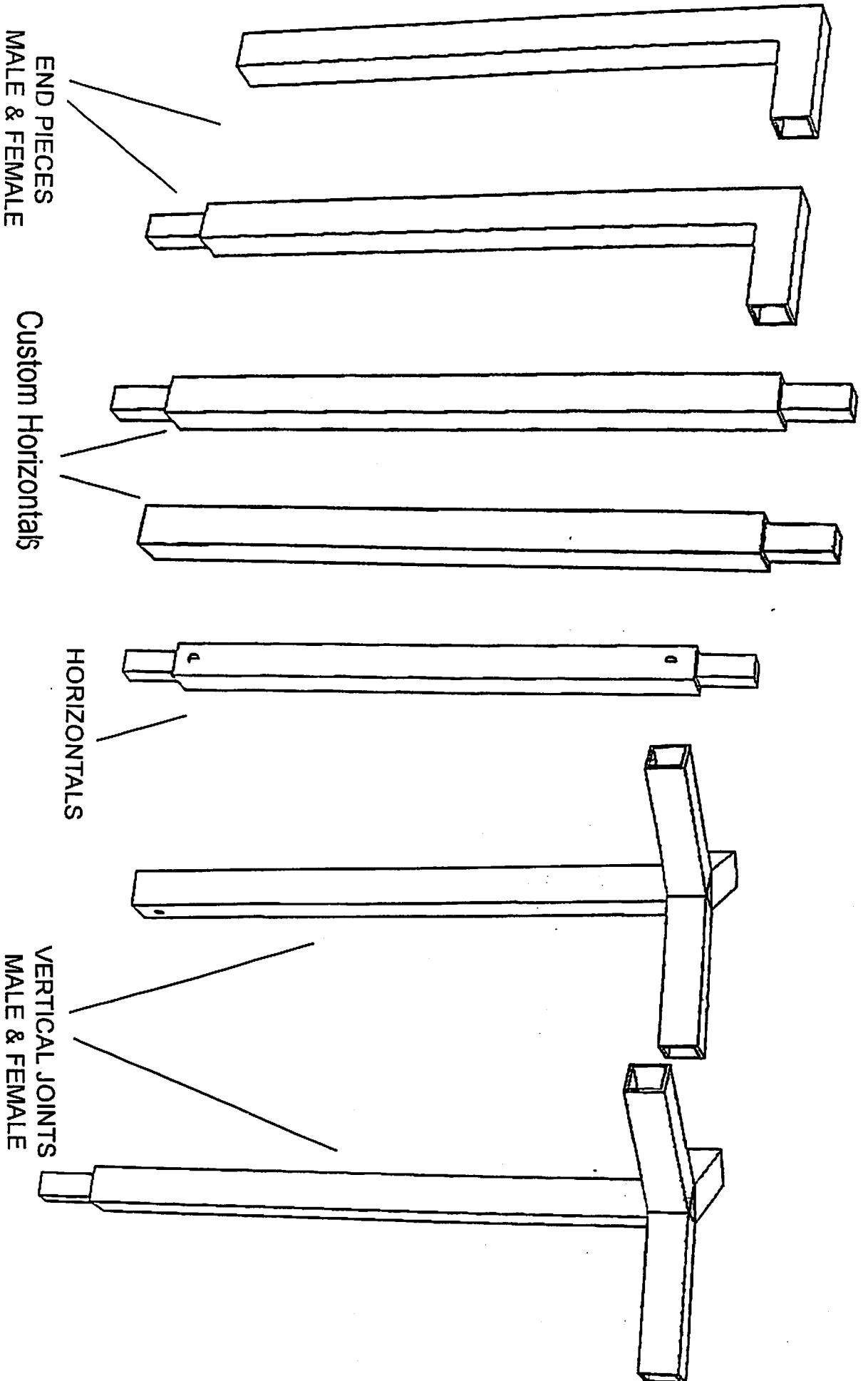


Custom Horizontals

Exploded View, Title Unit



**EXPLODED VIEW
OF FRAME #1**



All pieces are made of 3/4" square tubing. Pins are 1/2" square tubing.